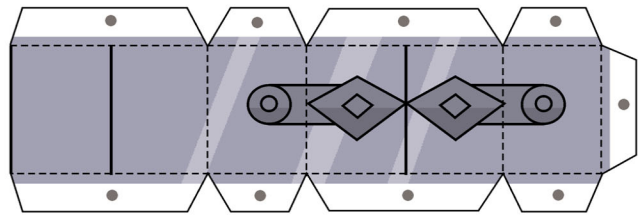
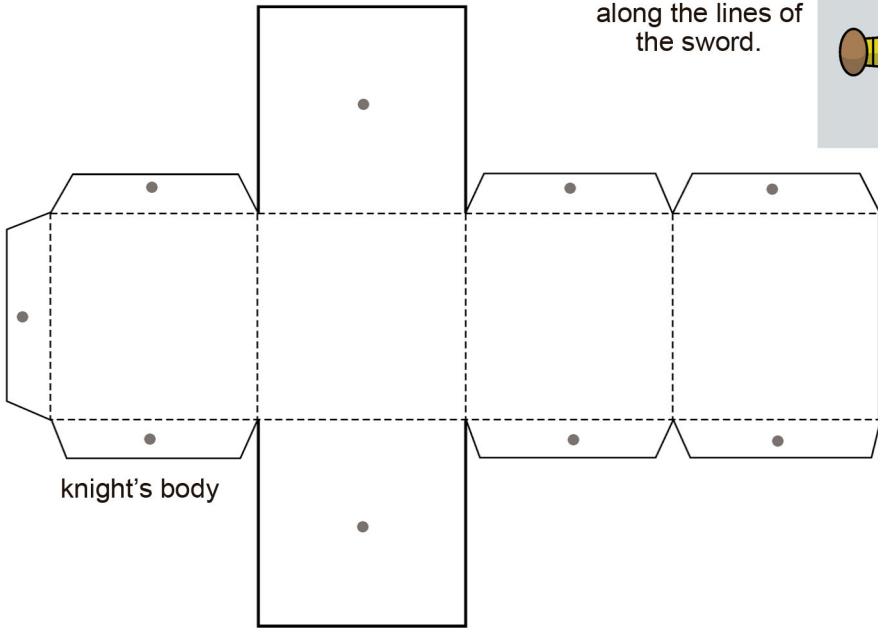
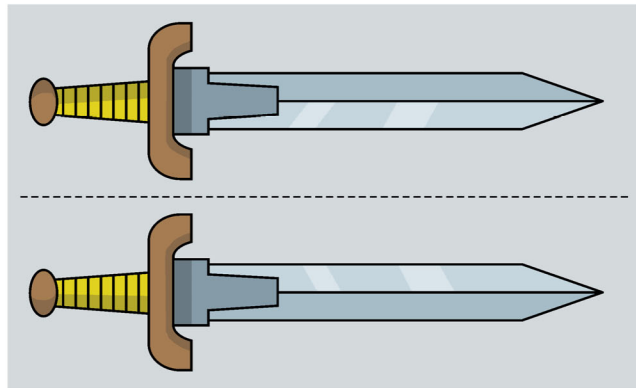


knight's head

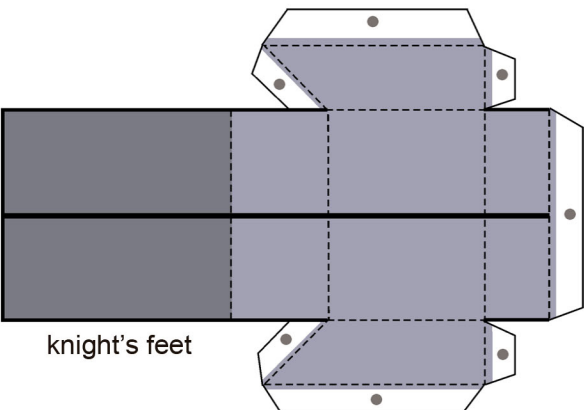
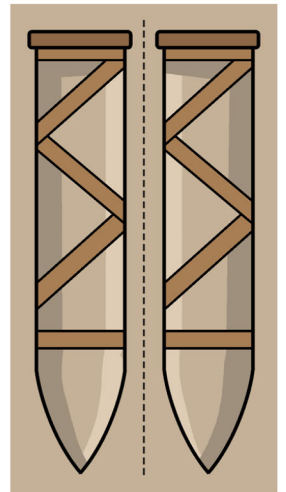


knight's legs

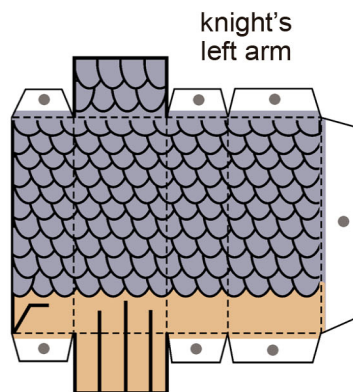
Fold and glue the two sides of the sword together. Then cut out the sword by cutting along the lines of the sword.



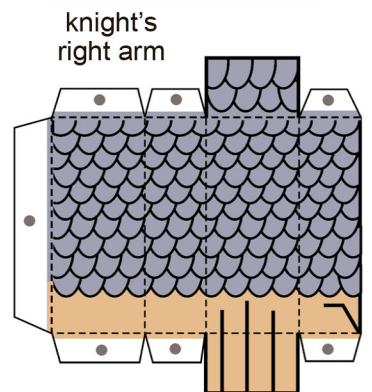
knight's body



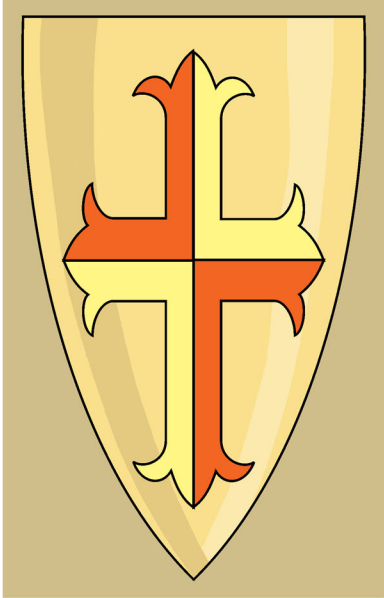
knight's feet



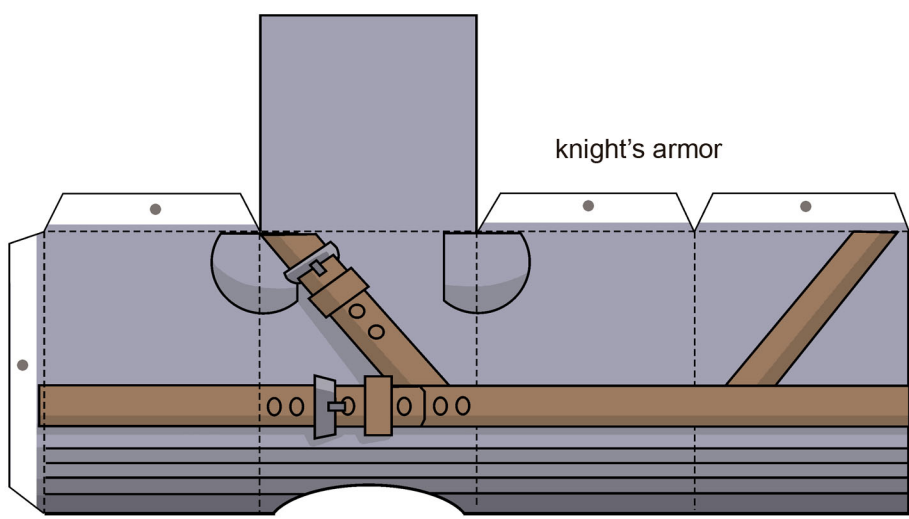
knight's left arm



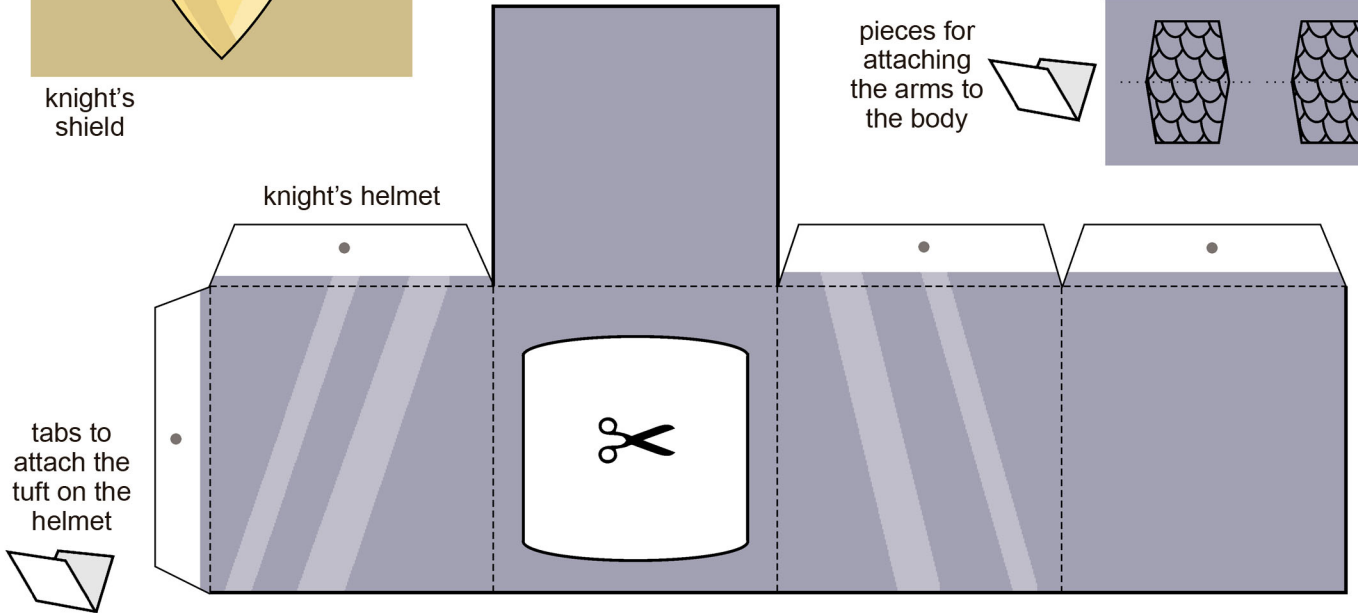
knight's right arm



knight's shield



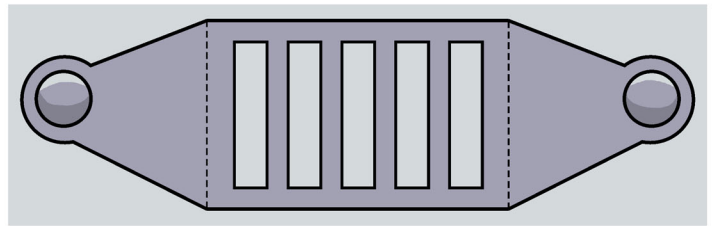
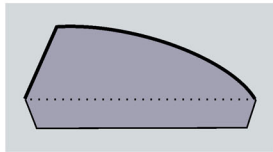
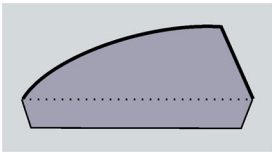
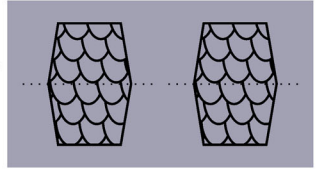
knight's armor



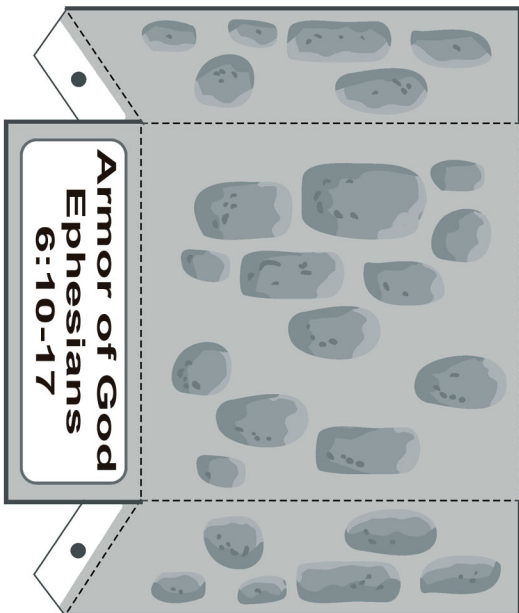
knight's helmet

tabs to attach the tuft on the helmet

pieces for attaching the arms to the body



knight's helmet visor



**Armor of God**  
**Ephesians**  
**6:10-17**

Copyright © 2014 by Didier Martin  
[www.mylittlehouse.org](http://www.mylittlehouse.org)

base for Armor of God